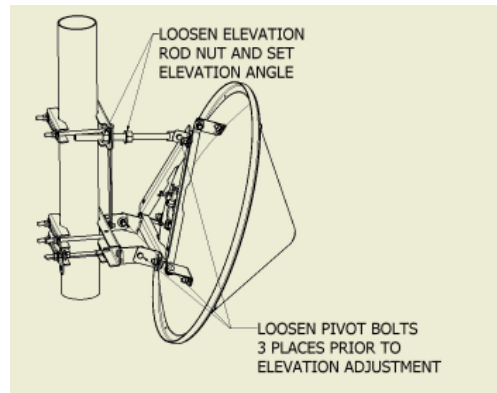


Step 5.

Elevation adjustment.

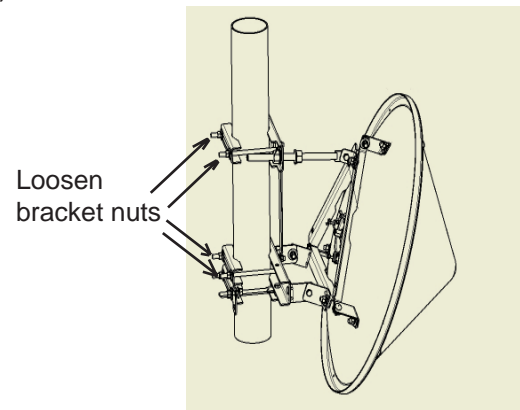
Loosen pivot bolts (3 locations). Loosen elevation rod nut and set elevation angle.



Step 6.

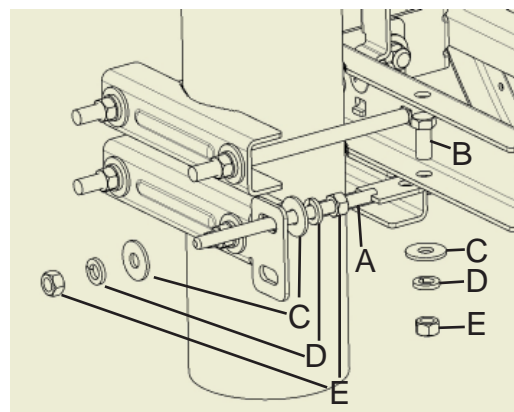
Azimuth adjustment. Loosen bracket nuts and rotate antenna on mounting pipe for proper azimuth positioning.

Attach fine azimuth adjustment kit P00263. Loosen bracket nuts (4 locations). Turn azimuth rod nut and set azimuth angle.



P00263 Contents:

- (A) 1 - azimuth fine adjustment bar
- (B) 1 - 3/8" x 16 x 1" hex head bolt
- (C) 3 - 7/16" ID x 1" OD flat washer
- (D) 3 - 3/8" split lock washer
- (E) 3 - 3/8" - 16 hex nut



When alignment is completed tighten all hardware.

PRODUCT WARRANTY

A. General Warranty. PCTEL, Inc ("PCTEL") represents and warrants that the Products furnished hereunder shall be free from defects in material and workmanship for a period of two (2) years from the date of shipment by PCTEL under normal use and operation. PCTEL sole and exclusive obligation under the foregoing warranty shall be to repair or replace, at its option, any defective Product that fails during the warranty period. The expense of removal and reinstallation of any item is not included in this warranty. THE FOREGOING WARRANTY IS EXCLUSIVE AND IN LIEU OF ALL OTHER WARRANTIES, EXPRESS OR IMPLIED, INCLUDING THE IMPLIED WARRANTIES OF MERCHANTABILITY AND FITNESS FOR A PARTICULAR PURPOSE AND ANY WARRANTIES ARISING FROM A COURSE OF DEALING, USAGE OR TRADE PRACTICE WITH RESPECT TO THE PRODUCTS. Repair or replacement in the manner provided herein shall be the sole and exclusive remedy of Buyer for breach of warranty and shall constitute fulfillment of all liabilities of PCTEL with respect to the quality and performance of the Products. PCTEL reserves the right to inspect all defective Products (which must be returned by Buyer to PCTEL factory freight pre-paid). No Products will be accepted for replacement or repair without obtaining a Return Materials Authorization (RMA) number from PCTEL Customer Service [by telephone: 630.372. 6800 or email: antenna.techsupport@pctel.com]. Products returned without an RMA number will not be processed and will be returned to Buyer freight collect. PCTEL shall have no obligation to make repairs or replacement necessitated by catastrophe, fault, negligence, misuse, abuse, or accident by Buyer, Buyer's customers or any other parties. The warranty period of any repaired or replaced Product shall not extend beyond its original term.

B. Warranty Conditions. The foregoing warranty shall apply only if: (i) the Product has been properly installed and used at all times in accordance, and in all material respects, with the applicable Product documentation; (ii) no modification, alteration or addition has been made to the Product by persons other than PCTEL or PCTEL's authorized representatives or otherwise approved by PCTEL; and (iii) the Product has not been subjected to misuse, neglect or unusual physical, electrical or electromagnetic stress, or some other type of accident. C. Disclaimer. PCTEL DOES NOT WARRANT THAT THE OPERATION OF THE PRODUCTS IS ERROR-FREE OR THAT OPERATION WILL BE UNINTERRUPTED. IN NO EVENT SHALL PCTEL BE RESPONSIBLE FOR DAMAGES OR CLAIMS OF ANY NATURE OR DESCRIPTION RELATING TO (i) SYSTEM PERFORMANCE, INCLUDING COVERAGE, (ii) BUYER'S SELECTION OF PRODUCTS FOR BUYER'S APPLICATION AND/OR (iii) FAILURE OF PRODUCTS TO MEET GOVERNMENT OR REGULATORY REQUIREMENTS.

RETURNS

In the unlikely event a defect occurs in this product, please work through the dealer or distributor from which this product was purchased. PCTEL, Inc. provides complete service and support to all of its dealers and distributors.

MAXRAD

471 Brighton Drive
Bloomington, IL 60108



MPRC Parabolic Antenna Series

©2007 PCTEL, Inc.
Broadband Technology Group - Antenna Products
All Rights Reserved

MIS-MPRC-1
Revision A
Printed in the U.S.A.

INSTALLATION GUIDELINES MPRC SERIES

These instructions are for the following model numbers:

- MPRC2423
- MPRC2449
- MPRC3623
- MPRC3649

IMPORTANT NOTICE:

The antenna should be handled with care.
Do not stand on or drop antenna.

Fits Pole sizes: 1-5/8" to 4.5" pipe O.D.

Contents:

1. Antenna with radome and mount installed.
2. Stabilizer bracket and hardware kit (P00261).
3. Parabolic mount hardware kit (P00262).
4. Azimuth adjustment rod and hardware (P00263).

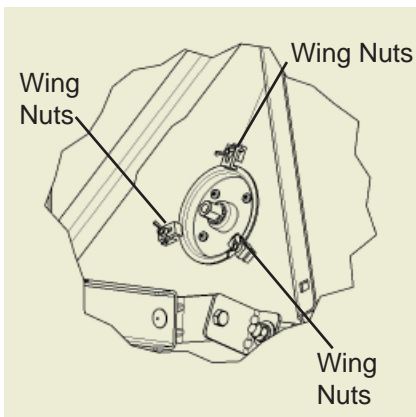
Tools Required for Mounting:

9/16" wrench (2) for all hardware except elevation adjustment rod
1-1/16" wrench (1) for elevation adjustment rod

Step 1.

Remove antenna from packaging.

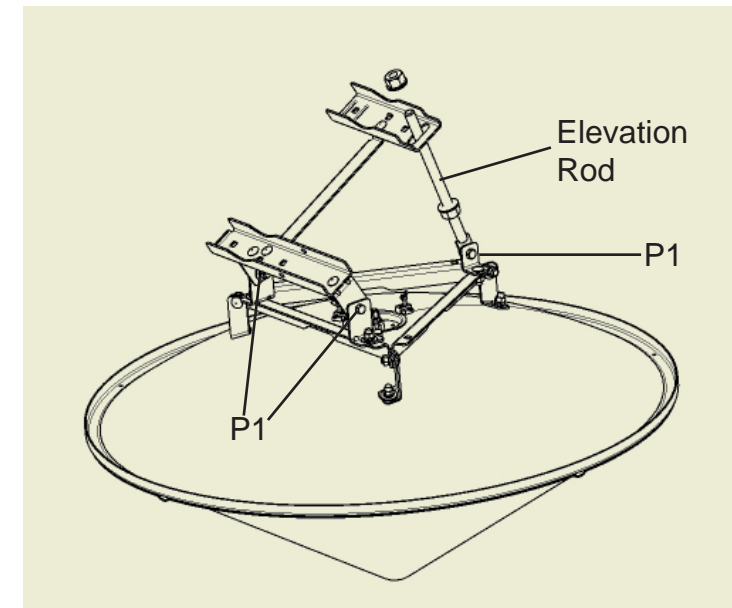
Feed Hub



Adjust feed polarization if required. Feed is attached and set for vertical polarization when antenna is mounted on a vertical pipe. To change polarization, loosen 3 wing nuts - rotate feed 90°, then tighten wing nuts. This operation may be performed at any time during installation through final alignment.

Step 2.

Pivot Points (P1) should be loosened to allow mounting frame to move so elevation rod can be installed.
Remove one set of hardware (flat washer and nut) from elevation rod.
Install elevation rod through clamp assembly.
Re-attach elevation rod flat washer and nut.

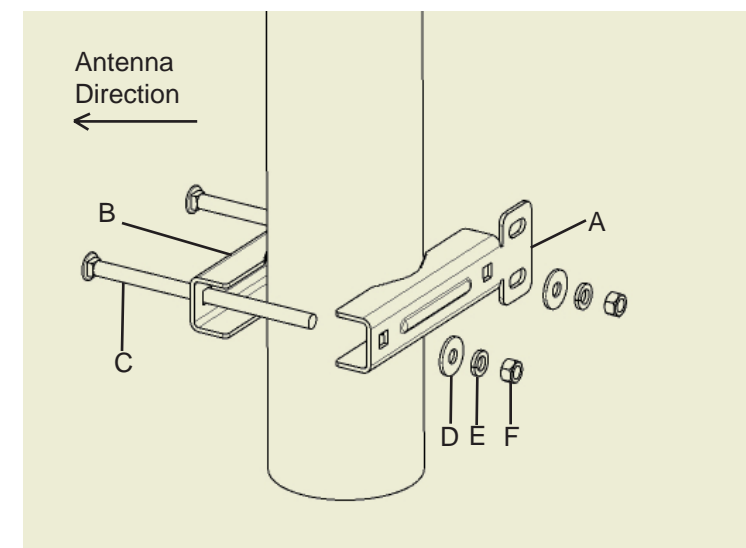


Step 3.

Attach stabilizer bracket kit (P00261) to mounting pipe

Stabilizer Bracket Contents:

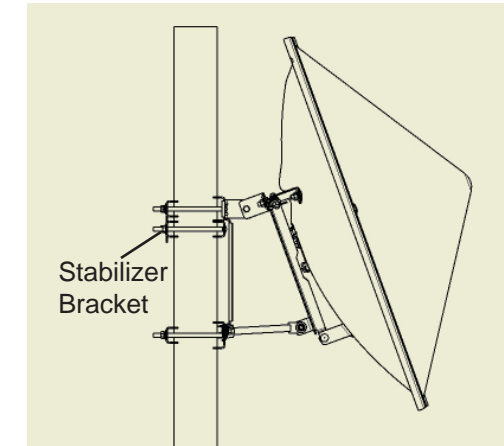
- (A) Bracket with azimuth rod holes (install on opposite side of pipe from antenna)
- (B) Bracket (install closest to antenna)
- (C) 2 - 3/8" - 16 x 6" carriage bolt
- (D) 2 - 7/16" ID x 1" OD flat washer
- (E) 2 - 3/8" split lock washer
- (F) 2 - 3/8" - 16 hex nut



Step 4.

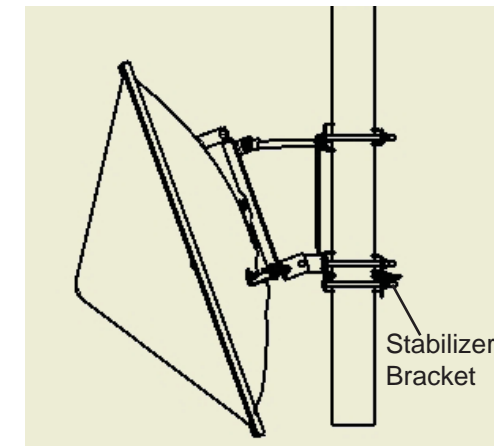
Attachment of antenna to pipe.

Uptilt Positioning



Elevation adjustment bar is on bottom of antenna and stabilizer bracket is set below top bracket of parabolic mount.

Downtilt Positioning



Elevation adjustment bar is on top and stabilizer bracket is on the bottom.

Attach antenna to pipe using kit P00262.

P00262 Contents:

- (A) 2 - brackets
- (B) 4 - 3/8" - 16 x 6" carriage bolt
- (C) 4 - 7/16" ID x 1" OD flat washer
- (D) 4 - 3/8" split lock washer
- (E) 4 - 3/8" - 16 hex nut

